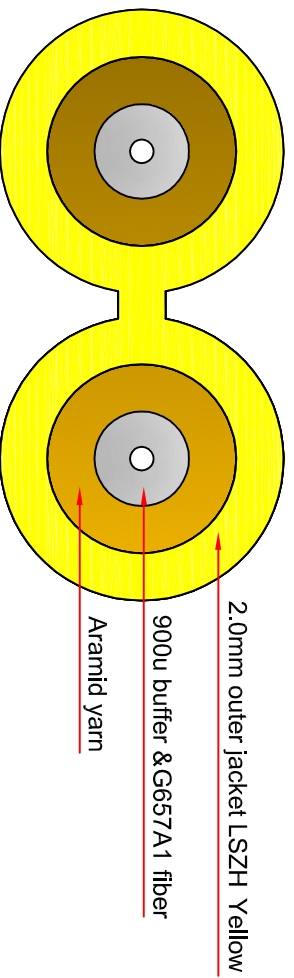
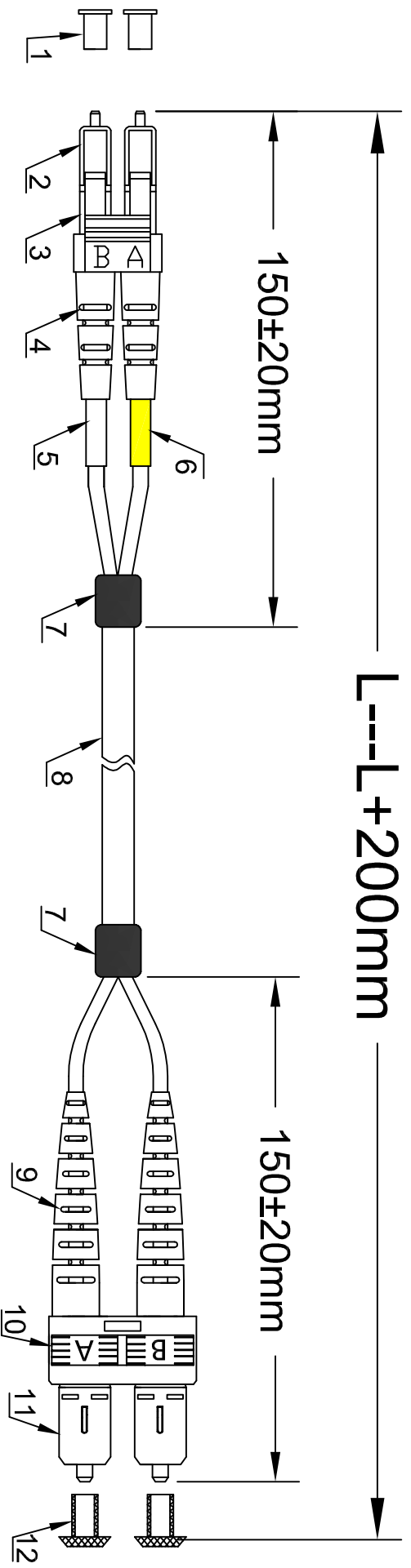


L---L+200mm



ITEM	Description	QTY
1	LC dust cover white	2 PCS
2	LC/PC SM simplex connector blue	2 PCS
3	LC clip blue	1 PC
4	LC 2.0mm short boot white	2 PCS
5	LC heat-shrink tubing white	1 PC
6	LC heat-shrink tubing yellow	1 PC
7	Breakout heat-shrink tubing black L=15mm	2 PCS
8	OD=2.0mm duplex G657A1 9/125 fiber optical cable LSZH Yellow	1 PC
9	SC 2.0mm boot blue	2 PCS
10	SC clip blue	1 PC
11	SC/PC SM simplex connector blue	2 PCS
12	SC dust cover lucency	2 PCS

LC/PC --- SC/PC DX 2.0mm G657A1 LSZH Yellow

ASSEMBLY	CONNECTIVITY
LC/UPC	SC/UPC
A	B
B	A

ITEM NO	LENGTH
EL1801	1.00m
EL1802	2.00m
EL1803	3.00m
EL1805	5.00m

NOTE:

- 1.Insertion loss :SC/PC<0.25dB LC/PC<0.25dB A:1310&1550nm
Return loss :SC/PC>50dB LC/PC>50dB A: 1310&1550nm
- 2.Durability:500 matings
- 3.Operation temperature:-40°C to +85°C
- 4.SC connector according to IEC 61754-4
LC connector according to IEC 61754-20

**ROHS
Compliant**



Designed by:	Yong Yu	Audit:	Qihua Cheng
Date:	2017-04-08	Approve:	Yong Huang
Unit:	mm	Sheet:	A4
Drawing NO:	SOP-ED-170408-04-V1		