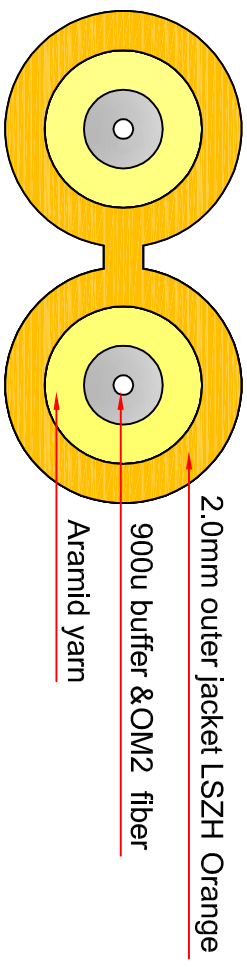
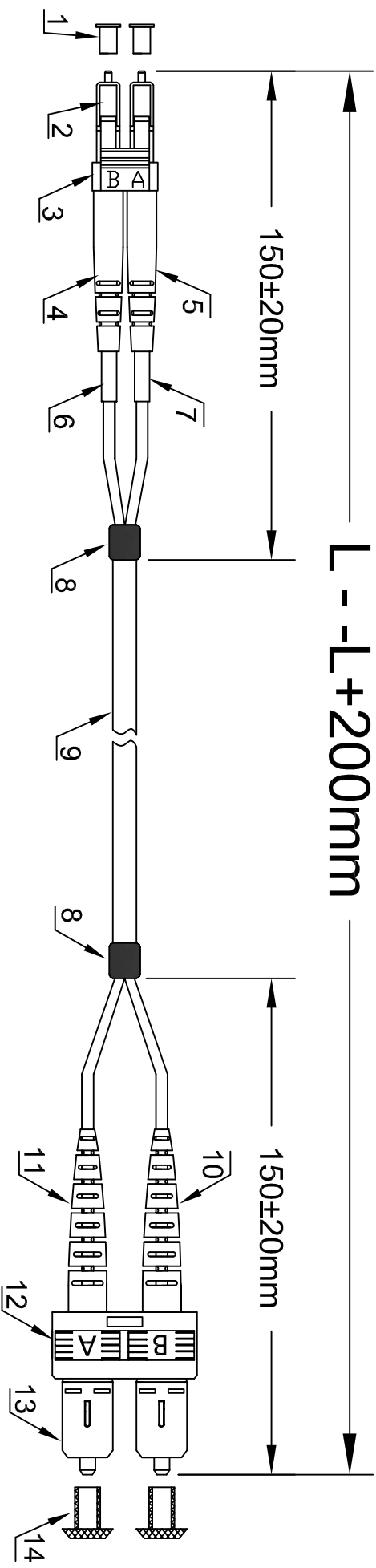


L - -L+200mm



LC/PC --- SC/PC DX 2.0mm OM2 LSZH Orange		
ITEM	Description	QTY
1	LC dust cover white	2 PCS
2	LC/PC MM simplex connector beige	2 PCS
3	LC clip beige	1 PC
4	LC 2.0mm boot yellow	1 PC
5	LC 2.0mm boot white	1 PC
6	LC heat-shrink tubing yellow	1 PC
7	LC heat-shrink tubing white	1 PC
8	Breakout heat-shrink tubing black L=15mm	2 PCS
9	OD=2.0mm duplex OM2 50/125um fiber optical cable LSZH Orange	1 PC
10	SC 2.0mm boot red	1 PC
11	SC 2.0mm boot black	1 PC
12	SC clip beige	1 PC
13	SC/PC MM simplex connector beige	2 PCS
14	SC dust cover lucency	2 PCS

ASSEMBLY	CONNECTIVITY
LC/UPC	SC/UPC
A	B
B	A

ITEM NO	LENGTH
EL8501	1.00m
EL8502	2.00m
EL8503	3.00m
EL8505	5.00m
EL8510	10.00m

**NOTE:**

1. Insertion loss : SC/PC < 0.25dB LC/PC < 0.25dB A: 850&1310nm  
Return loss : SC/PC > 30dB LC/PC > 30dB A: 850&1310nm
2. Durability: 500 matings
3. Operation temperature: -40°C to +85°C
4. SC connector according to IEC 61754-4  
LC connector according to IEC 61754-20

**ROHS  
Compliant**

<b>ewent</b> <small>BY INVENT</small>			
Designed by:	Yong Yu	Audit:	Qihua Cheng
Date:	2017-03-14	Approve:	Yong Huang
Unit:	mm	Sheet:	A4
Drawing NO:	SOP-ED-170314-16-V1		