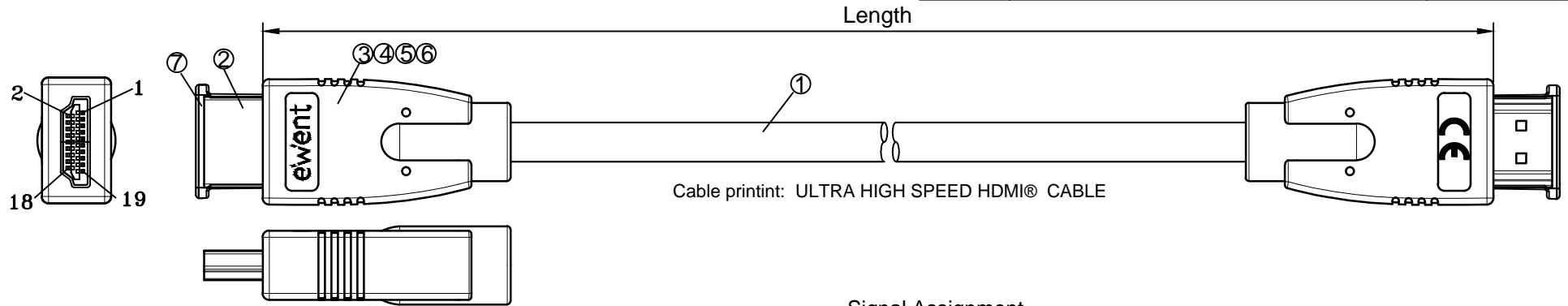
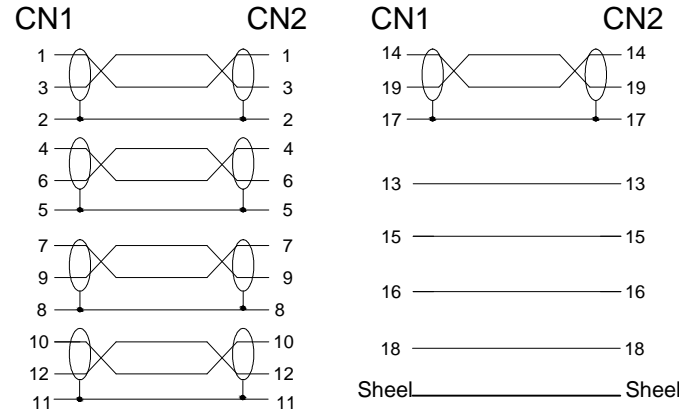


REV.	REVISED DESCRIPTION	DATE	CHECKED
A0	FIRST RELEASE	2021/03/17	



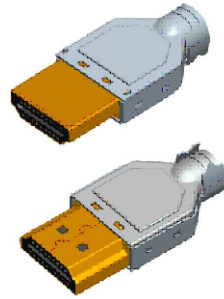
Cable printint: ULTRA HIGH SPEED HDMI® CABLE

Signal Assignment



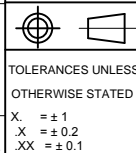
- Remark:
- 100% Open/Short Test
  - Conductive Resistance:10ohms MAX
  - Insulation Resistance:5M ohm MIN.
  - HI-POT:DC 300V/10MS.
  - The product is RoHS compliant.
  - Support 1080P/3D/8K@60Hz

- Remark:
- 100% Open/Short Test
  - Conductive Resistance:10ohms MAX
  - Insulation Resistance:5M ohm MIN.
  - HI-POT:DC 300V/10MS.
  - The product is CE/RoHS compliant/Reach.
  - Resolution:8K@60Hz



Item NO.	Length(m)
EW9877	2.0m

ITEM	DESCRIPTIONS & SPECIFICATIONS	QTY	REMARK
⑦	HDMI Protective Cap, PE	2PCS	
⑥	External Mold Outer Mould 45P PVC, Black		
⑤	Copper Foil Double sided conductor Copper Foil W5xL40MM	2PCS	
④	Shielding Shell Shielding Shell,tinplate	2PCS	
③	Bracket HDMI2.1V Bracket PA66	2PCS	
②	Connector HDMI A PLUG PIN, Gold-Plated	2PCS	
①	Cable 30AWG 2.1V (1/0.26BC x 1P + D1/0.254TC + AL-Foil + HM-Mylar) x 5C + 1/0.254BC x 4C + AL-foil + D1/0.254TC + 128/0.12AL, OD=6.5 Black PVC		



ACT			
ERP NO.:		SAMPLE DWG NO.:	
DOC No.:		REVISION	A0
CUSTOMER:		UNIT	mm
CUSTOMER P/N:		SCALE	NO
DESCRIPTION	HDMI2.1V 28AWG OD7.3mm 8K@60Hz with Can Shielding inside	PAGE NO	1/1
		DATE	2021/03/17
APPROVAL		CHECKED	
		DRAWN	