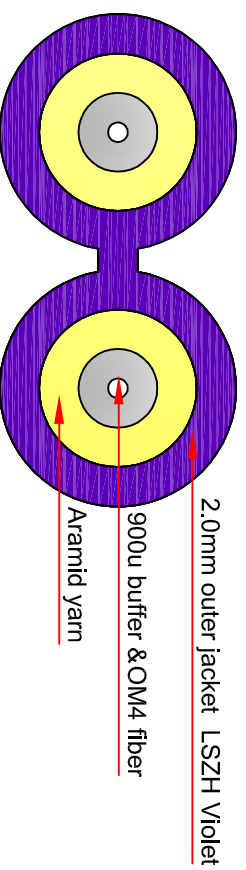
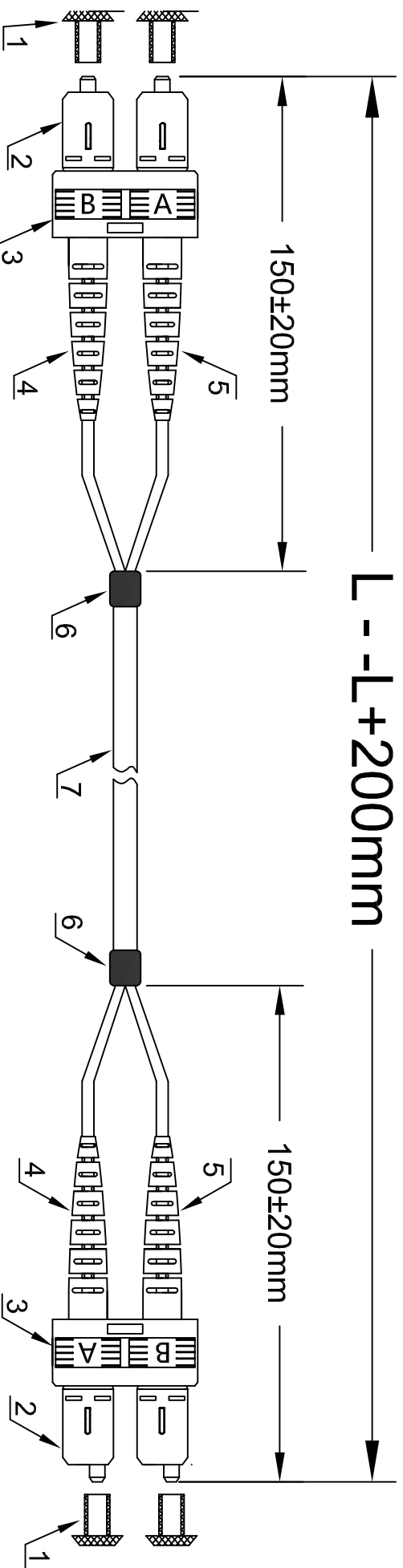


L - -L+200mm



ASSEMBLY	CONNECTIVITY
SC/UPC-1	SC/UPC-2
A	B
B	A

ITEM NO	LENGTH
EL3701	1.00m
EL3702	2.00m
EL3703	3.00m
EL3705	5.00m
EL3710	10.00m

- NOTE:**
- 1.Insertion loss :SC/PC<0.25dB    λ: 850&1310nm  
Return loss :SC/PC≥30dB    λ: 850&1310nm
  - 2.Durability:500 matings
  - 3.Operation temperature:-40 °C to +85°C
  - 4.SC connector according to IEC 61754-4

**ROHS  
Compliant**

SC/PC --- SC/PC DX 2.0mm OM4 LSZH Violet		
ITEM	Description	Q'TY
1	SC dust cover lucency	4 PCS
2	SC/PC MM simplex connector beige	4 PCS
3	SC clip beige	2 PCS
4	SC 2.0mm boot black	2 PCS
5	SC 2.0mm boot red	2 PCS
6	Breakout heat-shrink tubing black L=15mm	2 PCS
7	OD=2.0mm duplex OM4 50/125um fiber optical cable LSZH Violet	1 PC

		Designed by:	Yong Yu	Audit:	Qihua Cheng
		Date:	2017-03-14	Approve:	Yong Huang
Unit:	mm	Sheet:	A4		
Drawing NO:	SOP-ED-170314-05-V1				