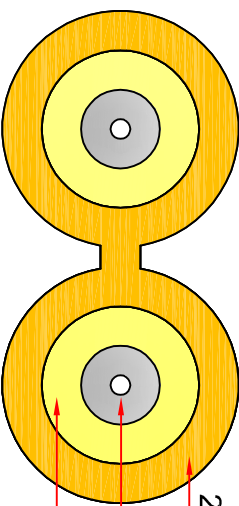
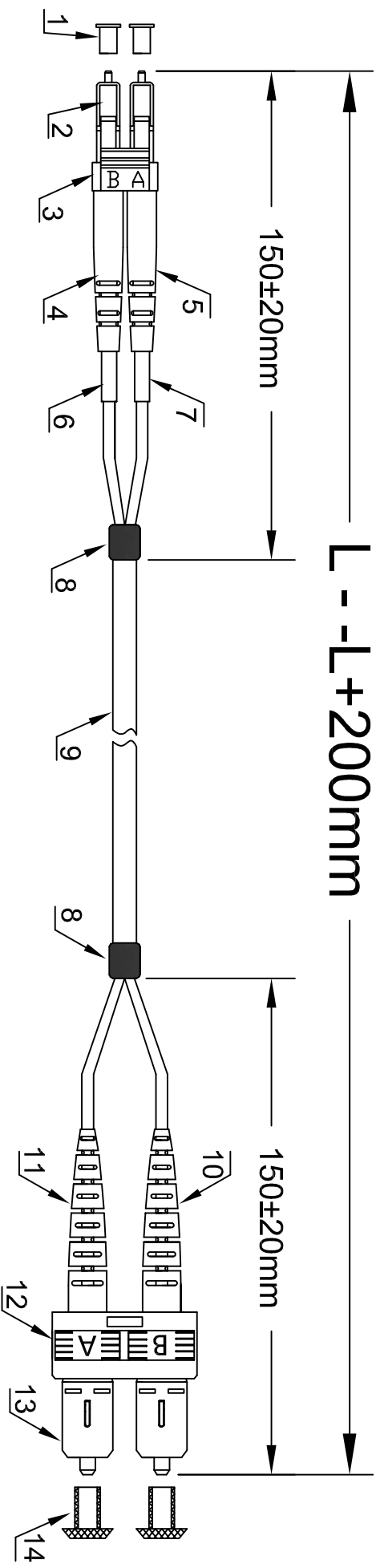


L - -L+200mm



LC/PC --- SC/PC DX 2.0mm OM1 LSZH Orange		
ITEM	Description	QTY
1	LC dust cover white	2 PCS
2	LC/PC MM simplex connector beige	2 PCS
3	LC clip beige	1 PC
4	LC 2.0mm boot yellow	1 PC
5	LC 2.0mm boot white	1 PC
6	LC heat-shrink tubing yellow	1 PC
7	LC heat-shrink tubing white	1 PC
8	Breakout heat-shrink tubing black L=15mm	2 PCS
9	OD=2.0mm duplex OM1 62.5/125um fiber optical cable LSZH Orange	1 PC
10	SC 2.0mm boot red	1 PC
11	SC 2.0mm boot black	1 PC
12	SC clip beige	1 PC
13	SC/PC MM simplex connector beige	2 PCS
14	SC dust cover lucency	2 PCS

ASSEMBLY	CONNECTIVITY
LC/UPC	SC/UPC
A	B
B	A

ITEM NO	LENGTH
EL8001	1.00m
EL8002	2.00m
EL8003	3.00m
EL8005	5.00m
EL8010	10.00m

NOTE:

- 1. Insertion loss :SC/PC<0.25dB LC/PC<0.25dB A:850&1310nm Return loss :SC/PC≥30dB LC/PC≥30dB A: 850&1310nm
- 2. Durability:500 matings
- 3. Operation temperature:-40°C to +85°C
- 4. SC connector according to IEC 61754-4 LC connector according to IEC 61754-20

**ROHS
Compliant**

		Designed by:	Yong Yu	Audit:	Qihua Cheng
		Date:	2017-03-14	Approve:	Yong Huang
Unit:	mm	Sheet:	A4		
Drawing NO:	SOP-ED-170314-15-V1				